

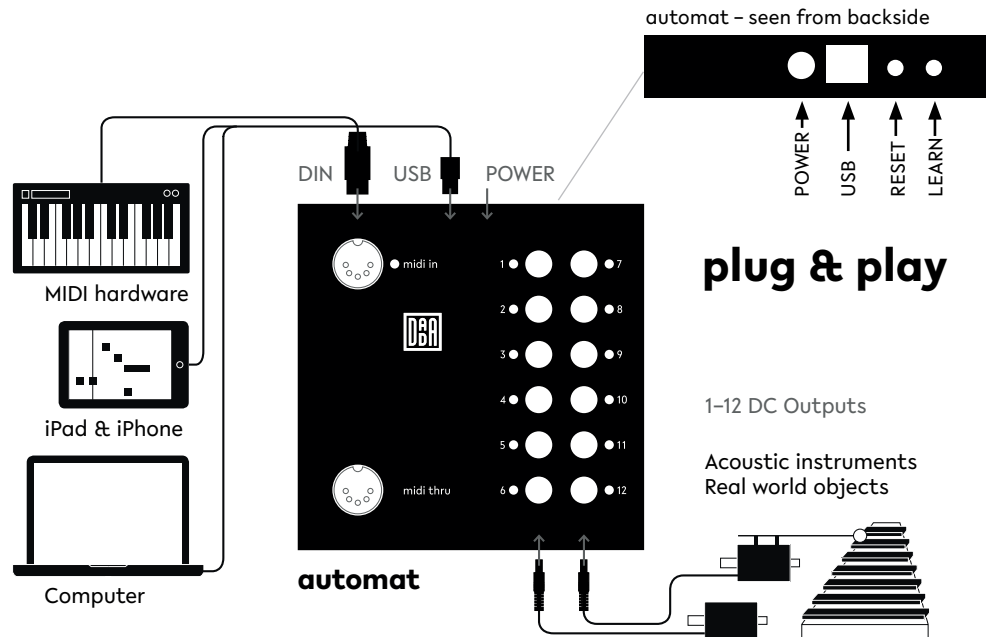
dadamachines: music machines for everyone!

QuickStart Guide



1. connect it

Connect your automat with the power supply.
Then take your favorite MIDI enabled device and simply connect it via DIN or USB MIDI.



plug & play

1-12 DC Outputs

Acoustic instruments
Real world objects

2. set it up

Push the learn button on the back of the automat once. The LED next to DIN MIDI IN will light up constantly. Now play the lowest / root note you want to use with your keyboard, sequencer or DAW. If the automat received the note - all 12 Outputs will be set.

(To set different notes for the individual outputs one by one push the learn button twice and send your note of choice for each output.)

3. play dada!

Connect the Solenoids or Actuators to the outputs of the automat. Attach the actuator to almost any physical object. Start to play the world around you!

**dada
machines**

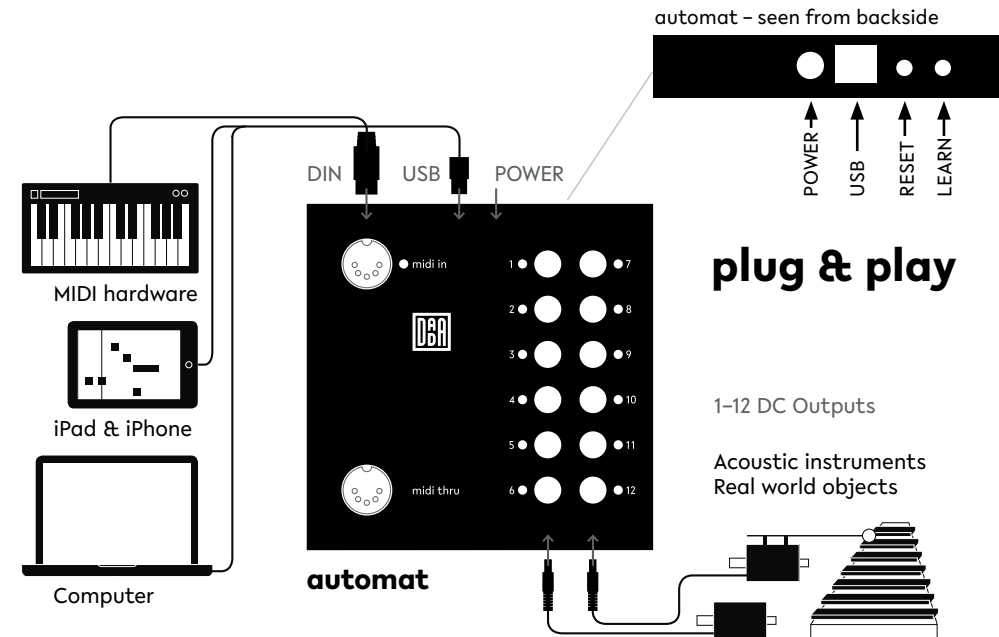
dadamachines: music machines for everyone!

QuickStart Guide



1. connect it

Connect your automat with the power supply.
Then take your favorite MIDI enabled device and simply connect it via DIN or USB MIDI.



plug & play

1-12 DC Outputs

Acoustic instruments
Real world objects

2. set it up

Push the learn button on the back of the automat once. The LED next to DIN MIDI IN will light up constantly. Now play the lowest / root note you want to use with your keyboard, sequencer or DAW. If the automat received the note - all 12 Outputs will be set.

(To set different notes for the individual outputs one by one push the learn button twice and send your note of choice for each output.)

3. play dada!

Connect the Solenoids or Actuators to the outputs of the automat. Attach the actuator to almost any physical object. Start to play the world around you!

**dada
machines**